

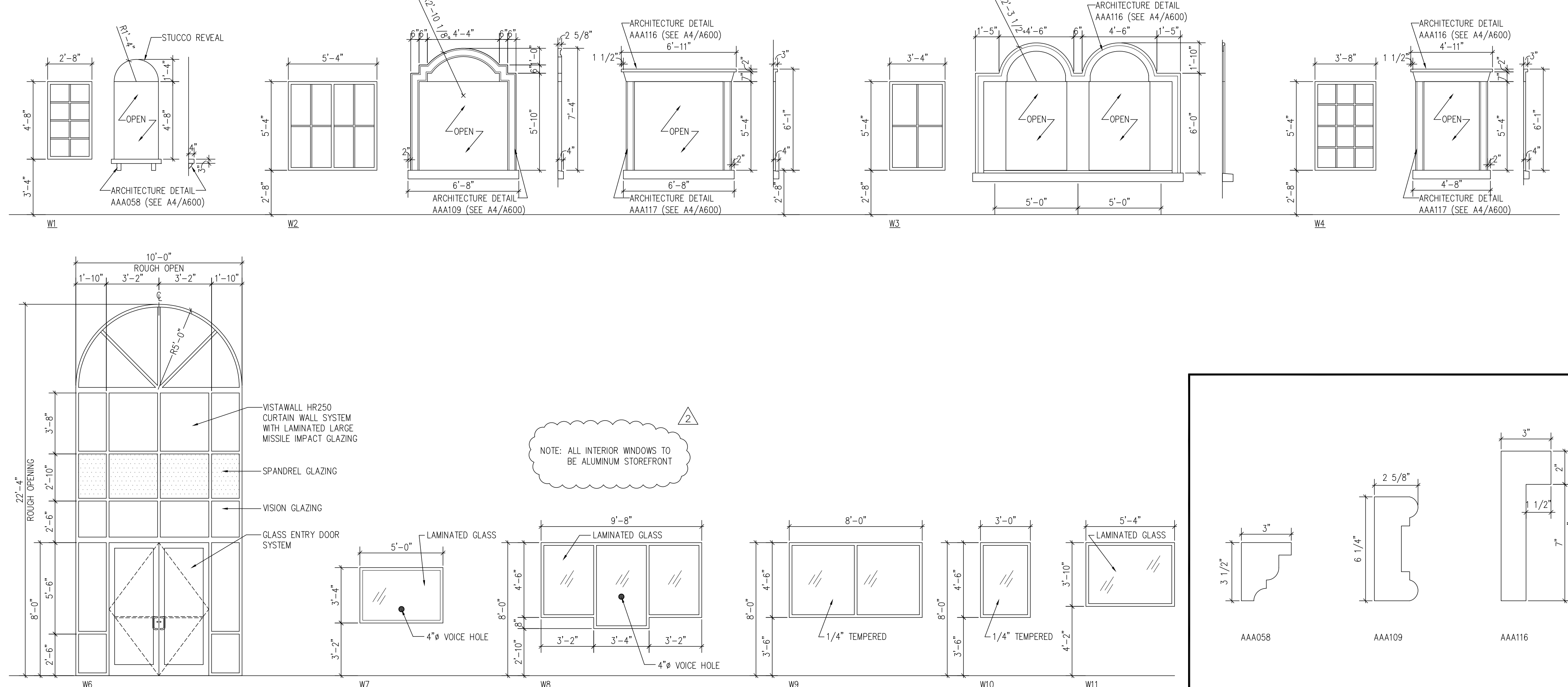
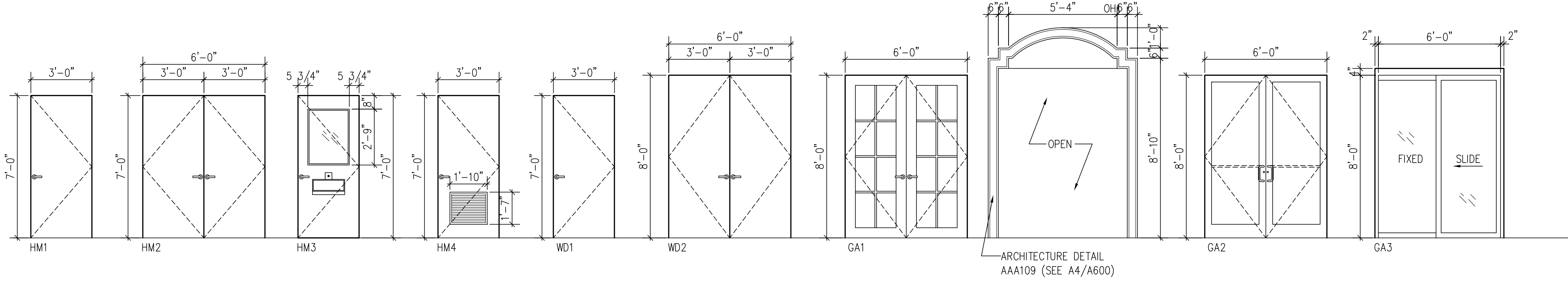
DOOR NUMBER	DOOR TYPE	DOOR				GLASS	FRAME TYPE	FRAME			REMARKS	
		SIZE		MATERIAL	MATERIAL			DETAILS				
		WIDTH	HEIGHT					JAMB	HEAD	THRESHOLD		
M1	HM1	3'-0"	7'-0"	1 3/4"	HOLLOW MTL	NO	MF2	MTL	C3/A503	D3/A503	B3/A503	IMPACT
M2	HM1	3'-0"	7'-0"	1 3/4"	HOLLOW MTL	NO	MF2	MTL	C3/A503	D3/A503		SEE WALL TYPE FOR RATING
M3	HM1	3'-0"	7'-0"	1 3/4"	HOLLOW MTL	NO	MF1	MTL	C3/A503	D3/A503		
M4	HM2	6'-0"	7'-0"	1 3/4"	HOLLOW MTL	NO	MF3	MTL	C3/A503	D3/A503		
M5	HM2	6'-0"	7'-0"	1 3/4"	HOLLOW MTL	NO	MF4	MTL	C3/A503	D3/A503		IMPACT
M6	OH1	6'-0"	4'-2"	1 3/4"	MTL	NO		MTL				45 MIN RATED, SEE PLAN FOR WIDTH
M7	OH2	12'-0"	9'-4"	1 3/4"	MTL	NO		MTL				
M8	OH3	6'-0"	6'-10"	1 3/4"	HOLLOW MTL	NO		MTL				
M9	HM3	3'-0"	7'-0"	1 3/4"	HOLLOW MTL	YES	MF1	MTL	C3/A503	D3/A503		3/4" UNDER CUT, CUFF PORT BY OTHER.
M10	HM4	3'-0"	7'-0"	1 3/4"	HOLLOW MTL	NO	MF1	MTL	C3/A503	D3/A503		
M11	OH4	10'-8"	7'-4"	1 3/4"	MTL	NO		MTL				
W1	WD1	3'-0"	7'-0"	1 3/4"	HOLLOW MTL	NO	MF1	MTL	A3/A503	A2/A503		SOLID CORE
W2	WD1	3'-0"	7'-0"	1 3/4"	HOLLOW MTL	NO	MF1	MTL	A3/A503	A2/A503		SOLID CORE, 45 MIN RATED
W3	WD2	6'-0"	8'-0"	1 3/4"	HOLLOW MTL	NO	MF3	MTL	A3/A503	A2/A503		SOLID CORE, 45 MIN RATED
W4	WD1	6'-0"	8'-0"	1 3/4"	HOLLOW MTL	YES	MF6	MTL	A3/A503	A2/A503		CLEAR GLASS SIDELITE
G1	GA1	6'-0"	8'-0"	1 3/4"	ALUM	YES	MF4	MTL	C2/A503	D2/A503	B2/A503	IMPACT
G2	GA2	6'-0"	8'-0"	1 3/4"	ALUM	YES	W6	ALUM			A1/A503	IMPACT
G3	GA3	6'-0"	8'-0"	1 3/4"	ALUM	YES	W6	ALUM				

GENERAL DOOR/FRAME NOTES

- THE CONTRACTOR SHALL CAREFULLY STUDY AND COMPARE THE CONTRACT DOCUMENTS AND THIS SCHEDULE AND SHALL AT ONCE REPORT IN WRITING TO THE ARCHITECT ANY ERROR, INCONSISTENCY OR OMISSION THAT S/HE MAY DISCOVER.
- ALL FRAMES SHALL BE CAULKED CONTINUOUSLY TO THE WALL ON BOTH SIDES.
- WHEREVER THERE IS A CRACK BETWEEN THE BOTTOM OF THE DOOR FRAME AND THE FINISH FLOOR, THE CONTRACTOR SHALL PROVIDE A "PENCIL-LINE CAULK" TO SEAL (EXCEPT WHERE CARPET HIDES CRACK).
- DOOR SCHEDULED TO HAVE A FIRE RATING LABEL SHALL HAVE A METAL LABEL PERMANENTLY AFFIXED TO BOTH THE DOOR AND TO THE FRAME (VINYL IS NOT ACCEPTABLE).
- ALL 20 MINUTE DOORS SHALL HAVE LESS THAN 1296 SQ INCHES OF WIRE GLASS WITH A MAXIMUM VERTICAL HEIGHT OF 54".
- UNLESS INDICATED OTHERWISE, ALL FLOOR MATERIAL CHANGES SHALL OCCUR AT THE CENTERLINE OF A DOOR.
- EXTERIOR DOORS SHALL HAVE FLORIDA PRODUCT APPROVAL TO MATCH WIND DESIGN CRITERIA ASSOCIATED WITH BUILDING.

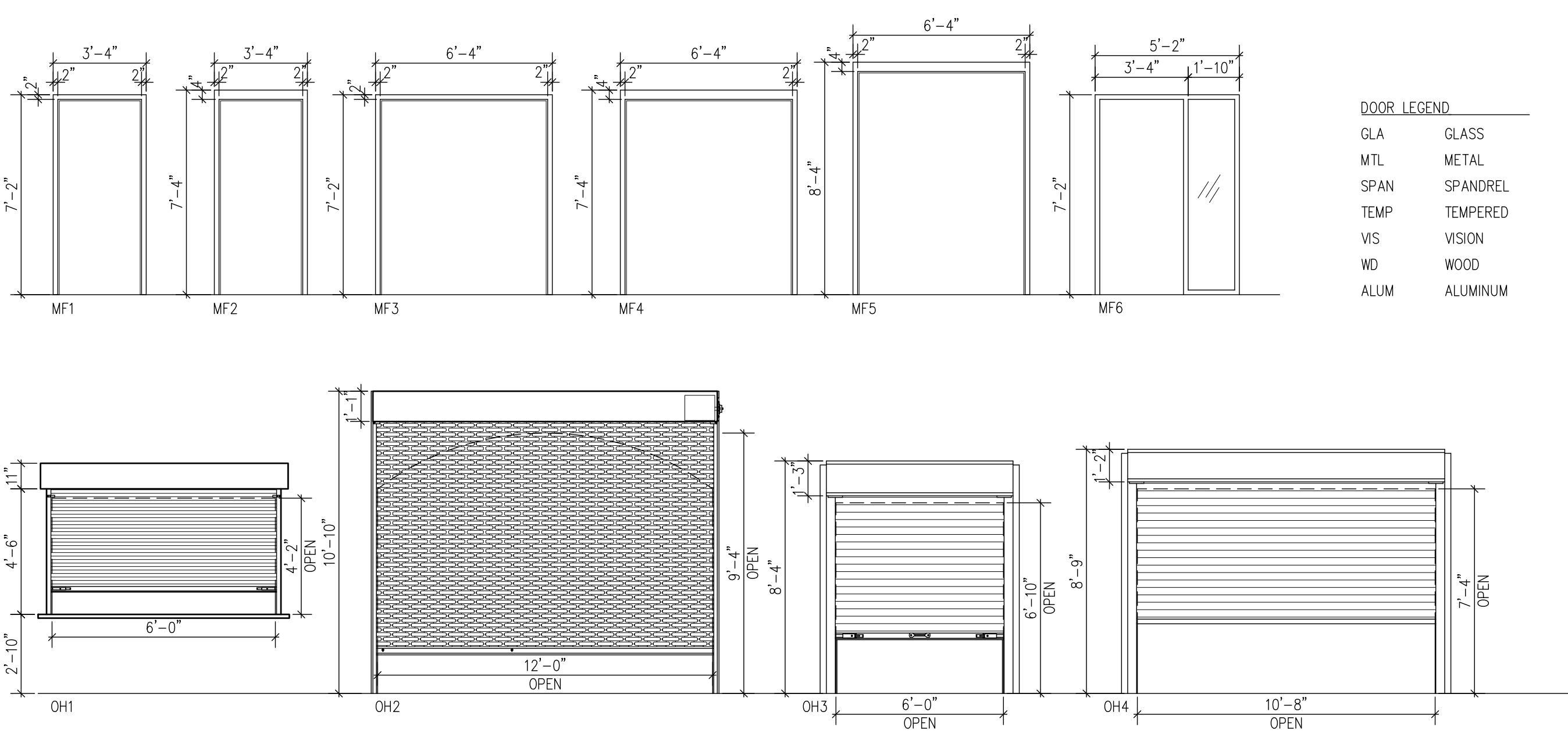
C1 Door Elevations/ Schedule

SCALE: 1/4" = 1'-0"



A1 Window Elevation/ Schedule

SCALE: 1/4" = 1'-0"



DOOR LEGEND

GLA	GLASS
MTL	METAL
SPAN	SPANDREL
TEMP	TEMPERED
VIS	VISION
WD	WOOD
ALUM	ALUMINUM



6671 13th Avenue North, Suite 1C
St. Petersburg, FL 33710
(727) 381-5220
(727) 381-0052 fax

100% Construction Documents

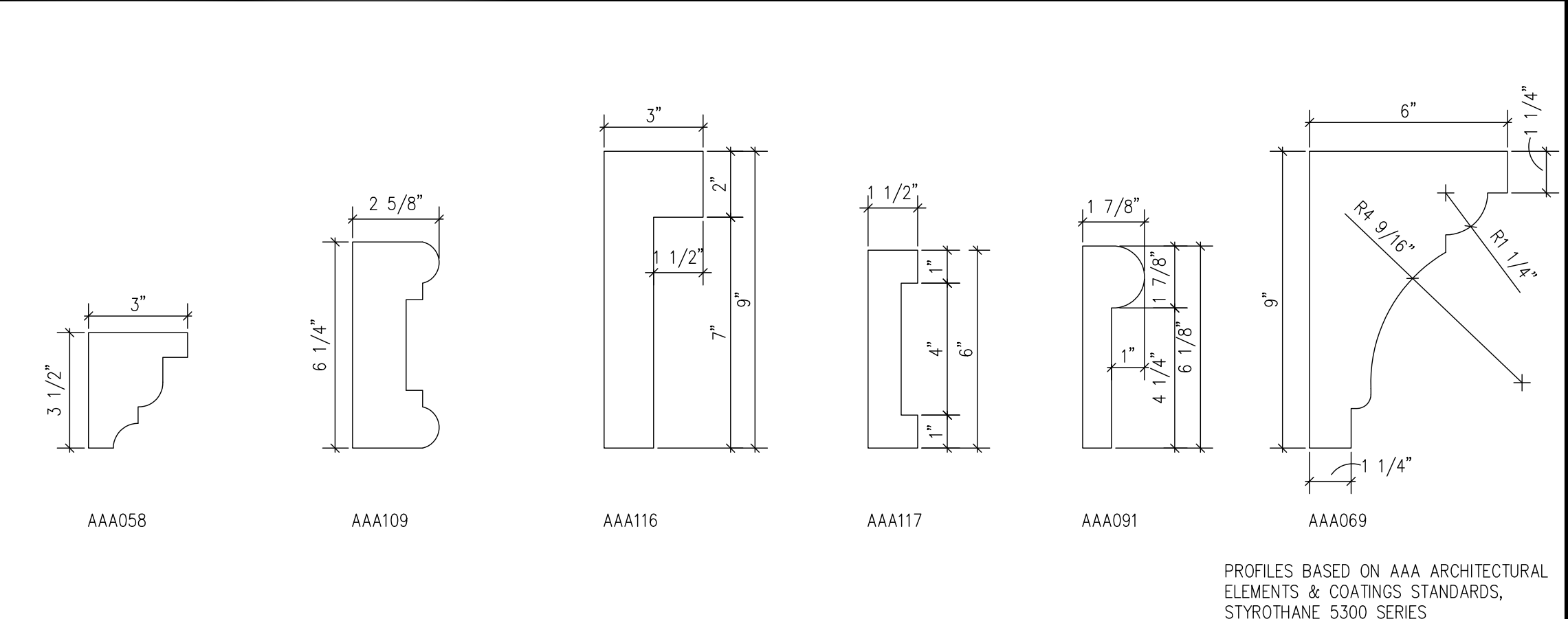
Firm Registration AA-26000510
Steven J. Vinci, AIA AR-0017036

Signature _____ Date _____

DOOR NUMBER	SIZE		MATERIAL	MODEL	REMARKS
	WIDTH	HEIGHT			
01	1'-4"	8	SS	1540-520	
02	1'-4"	8	SS	1540-530 2HR	2HR RATED ASSEMBLY
03	1'-4"	8	SS	1540-520	ADD TRIM 1540-531-12

B5 Flood Vent Schedule

SCALE: None



A4 Moulding Profiles

SCALE: 3" = 1'-0"

Town of Indian Shores Municipal Center

Project Location:
19305 Gulf Blvd.
Indian Shores, FL 33785

REVISIONS

No.	Date	Revision
1	03.15.10	ADDENDUM #6

Drawn By: PR
Checked By: RB

Schedules

A600

Project: 09014
Date: February 26th, 2010